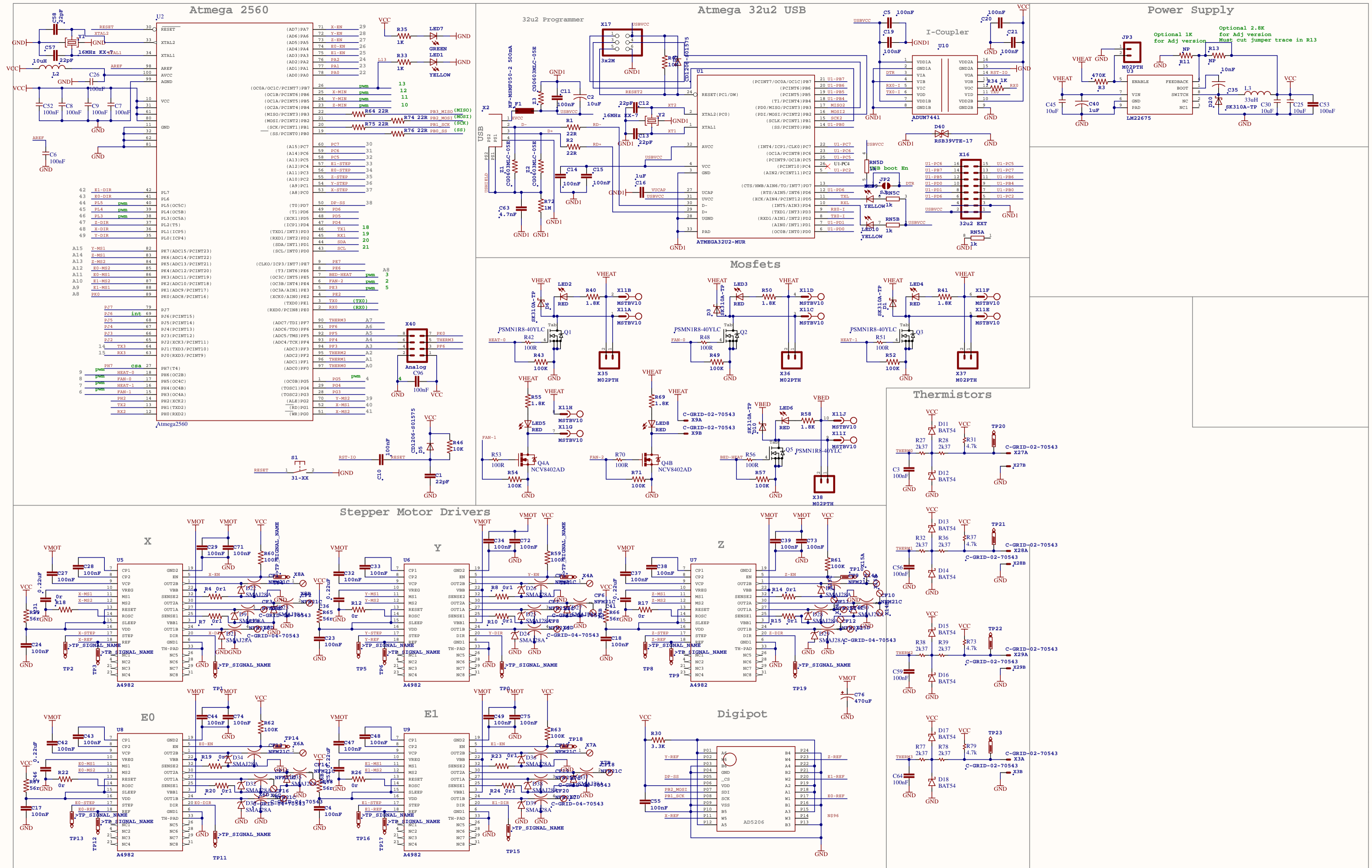


RAMBo 1.4a

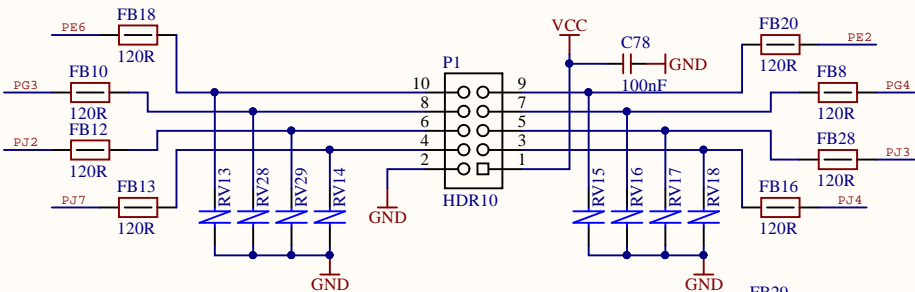
(R)epRap (A)rduino-compatible (M)other (Bo)ard



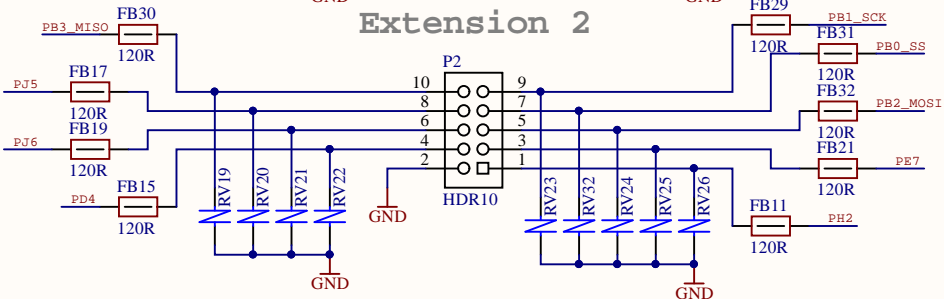
Reference Designs ARE PROVIDED "AS IS" AND "WITH ALL FAULTS". We DISCLAIM ALL OTHER WARRANTIES, EXPRESS OR IMPLIED, REGARDING PRODUCTS, INCLUDING BUT NOT LIMITED TO, ANY IMPLIED WARRANTIES OF MERCHANTABILITY OR FITNESS FOR A PARTICULAR PURPOSE. We may make changes to specifications and product descriptions at any time, without notice. The Customer must not rely on the absence or characteristics of any features or instructions marked "reserved" or "undefined." We reserve these for future definition and shall have no responsibility whatsoever for conflicts or incompatibilities arising from future changes to them. The product information on the Web Site or Materials is subject to change without notice. Do not finalize a design with this information.

Open Source Hardware Copyright 2013-2017 - UltiMachine

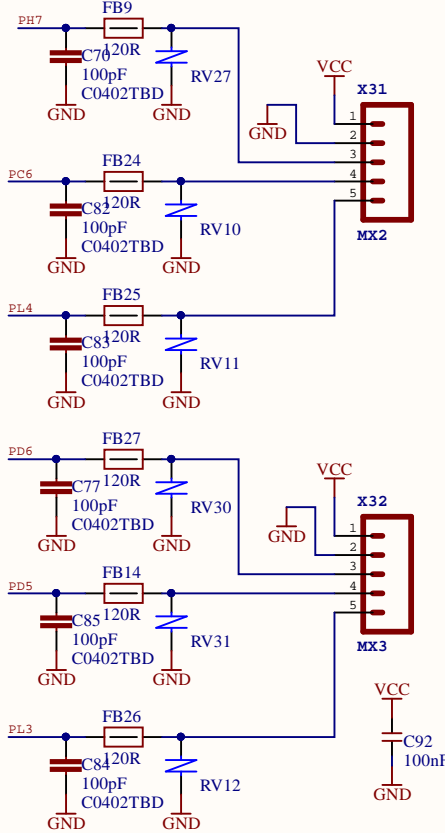
Extension 1



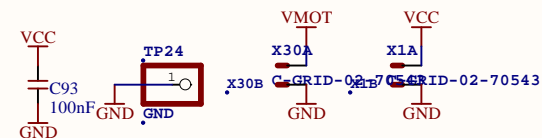
Extension 2



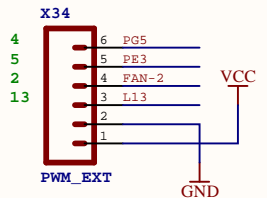
Motor Extensions



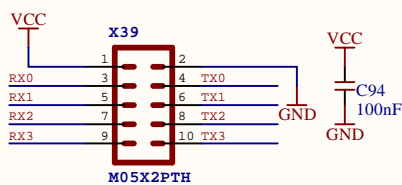
Aux Power Out



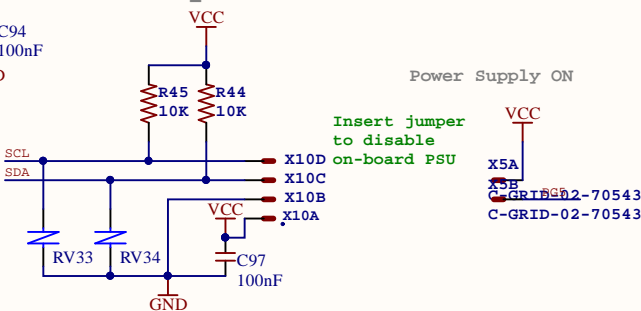
PWM Extension



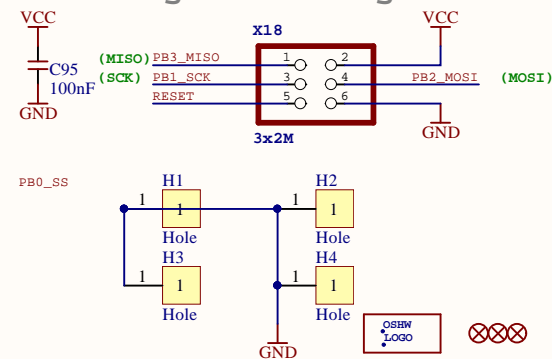
Serial Extension



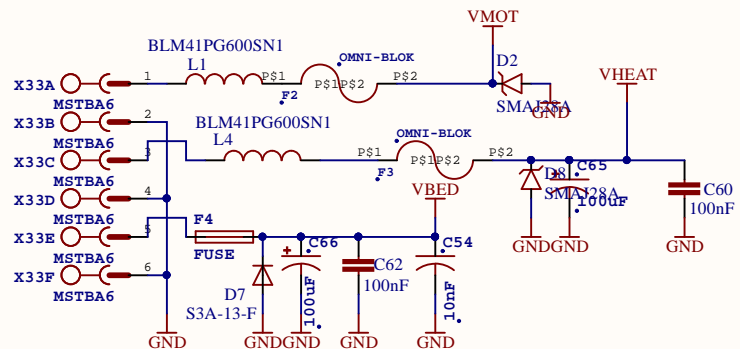
I2C Expansion



Atmega2560 Programmer



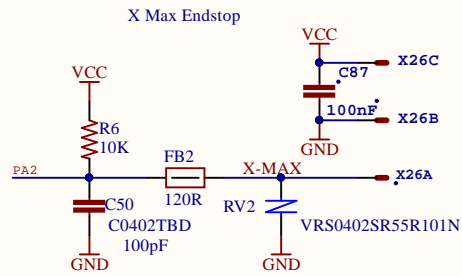
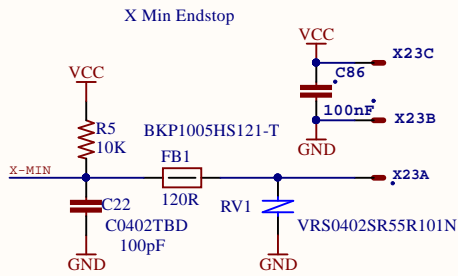
Power In



Title		
RAMBo projectVersion		
Size	Number	Revision
Letter	projectdocumentNumber	projectDocumentRevis
Date:	9/1/2017	Sheet 2 of *
File:	C:\Users\...\Connectors.SchDoc	Drawn By: projectDesigner

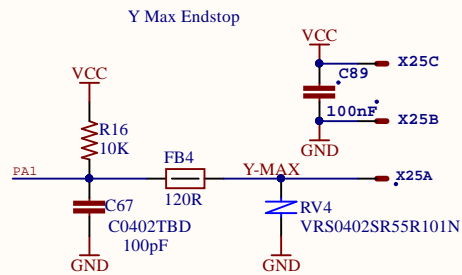
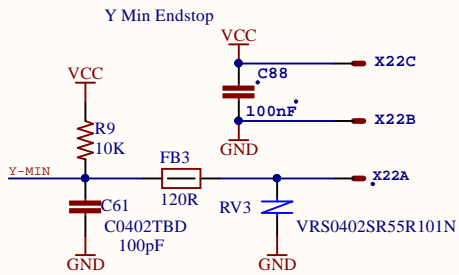
A

A



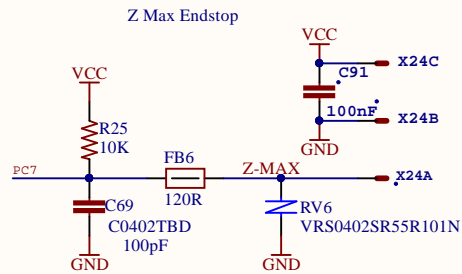
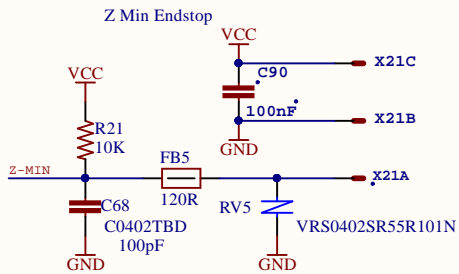
B

B



C

C



D

D

Title		
RAMBo projectVersion		
Size	Number	Revision
Letter	projectdocumentNumber	projectDocumentRevis
Date:	9/1/2017	Sheet 3 of *
File:	C:\Users\...\Endstops.SchDoc	Drawn By: projectDesigner